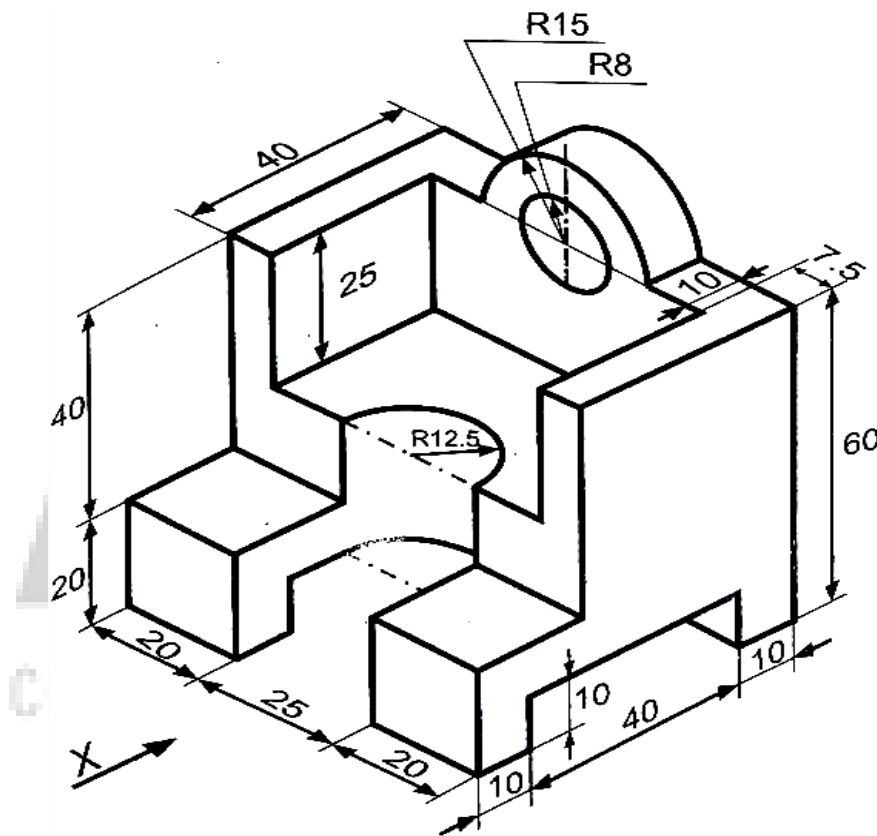


**ASSIGNMENT - 6 - ORTHOGRAPHIC PROJECTION**

1. Draw the Front view, Top view and R.H.S.V of the below figure using 1st angle method.



2. Draw the Sectional Front view take the section along A-B, Top view and R.H.S.V of the below figure using 3rd angle method.

