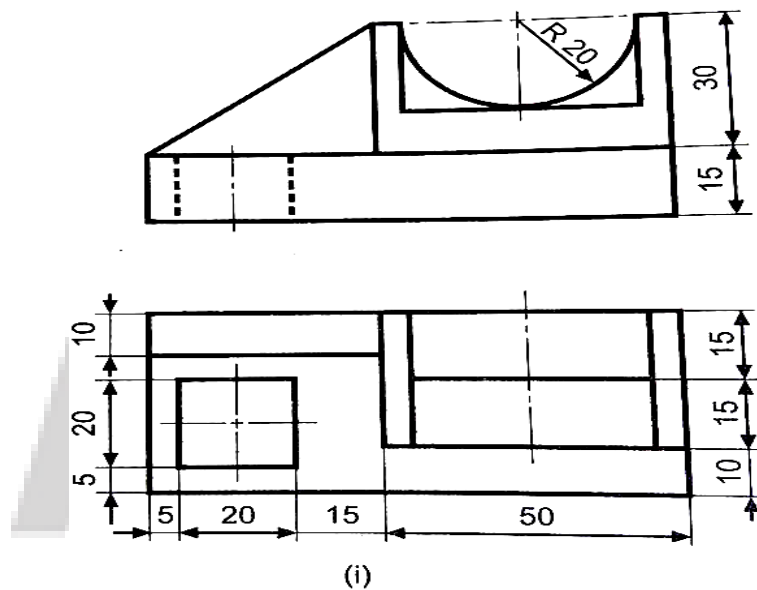
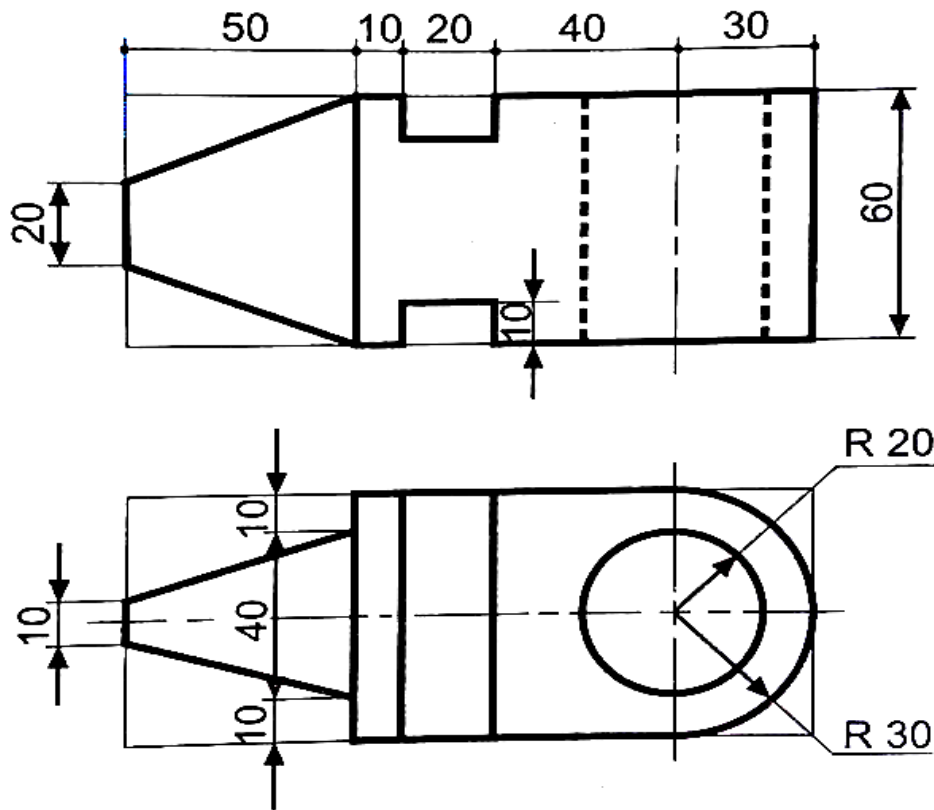


ASSIGNMENT - 7 - ISOMETRIC PROJECTION

1. Draw the isometric of machined component from the given F.V. and T.V. in below figure.



2. In below figure F.V. and T.V. of the object is given in the 1st angle system. Draw the isometric view.



COLLEGE OF ENGINEERING & TECHNOLOGY