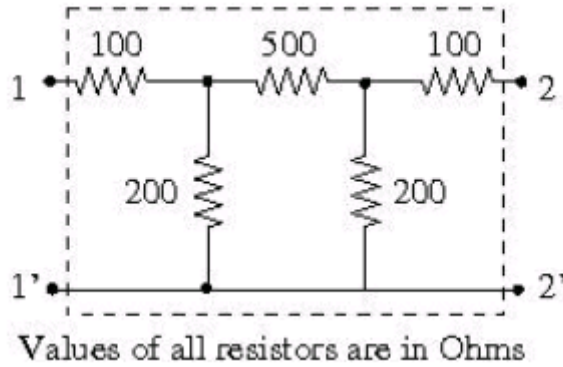
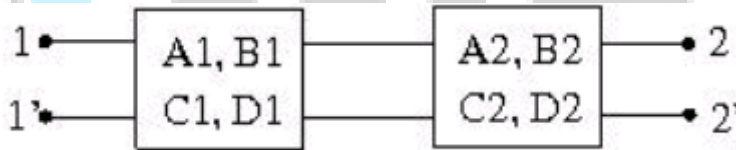


ASSIGNMENT : 5

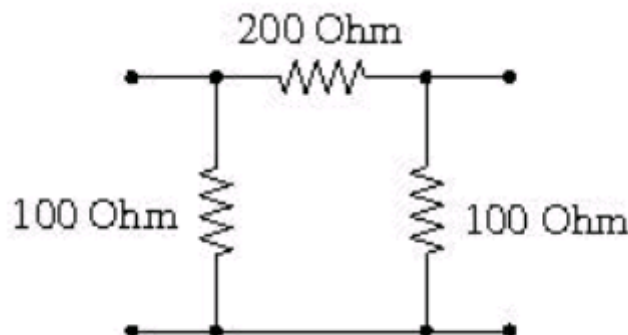
1. Find out the Z-parameters of the two port network shown in the following figure.



2. Find out the equivalent ABCD parameters of the cascade combination of two networks as shown in the following figure.



3. Briefly describe ABCD parameters and inverse ABCD parameters for a symmetric two port network.
4. Find out the Y-parameters of the network shown in the following figure.



5. Give relationship between y parameters and h parameters.